

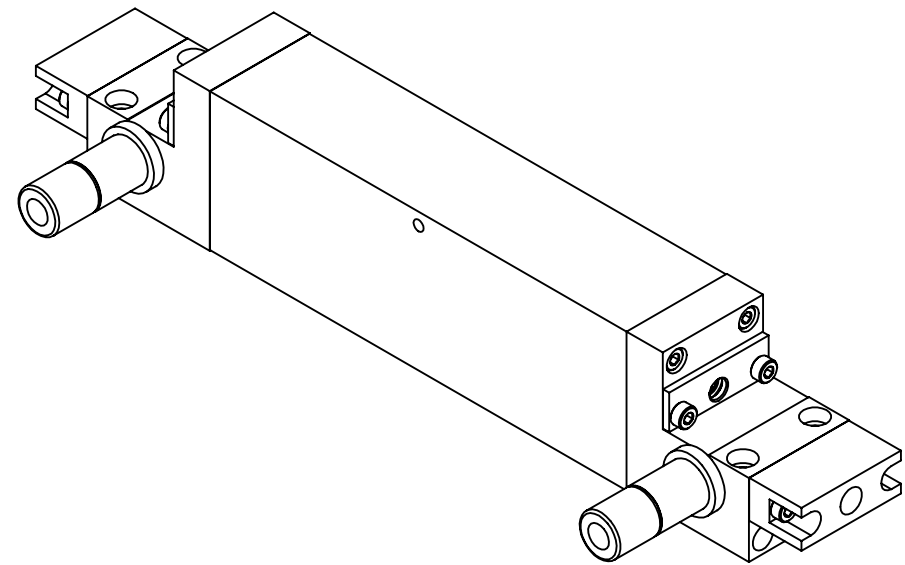
4

3

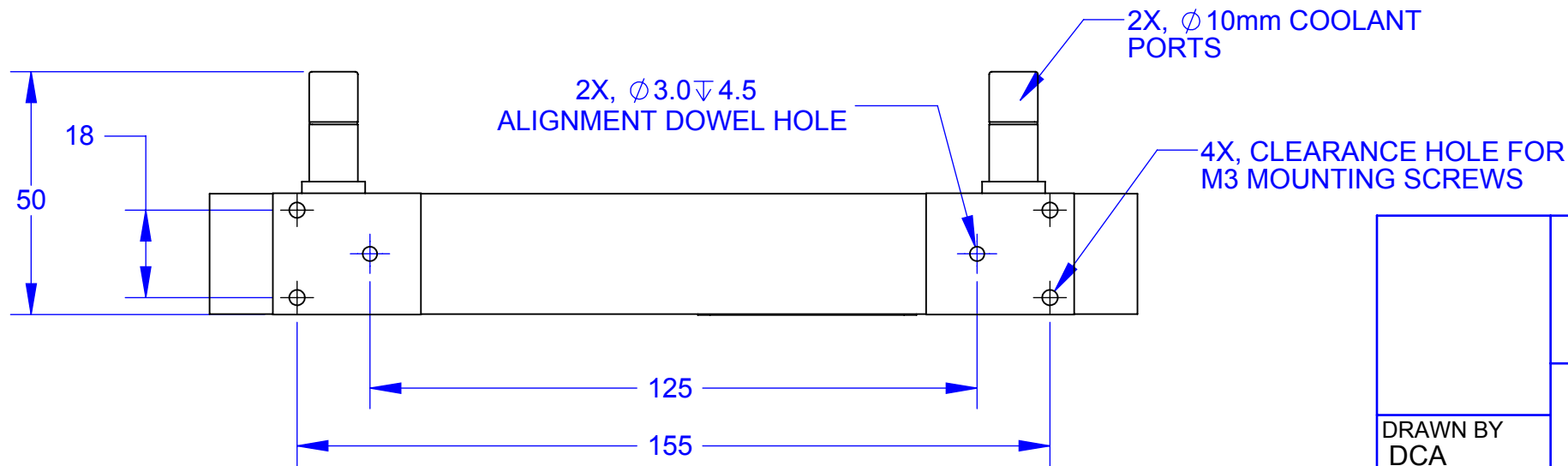
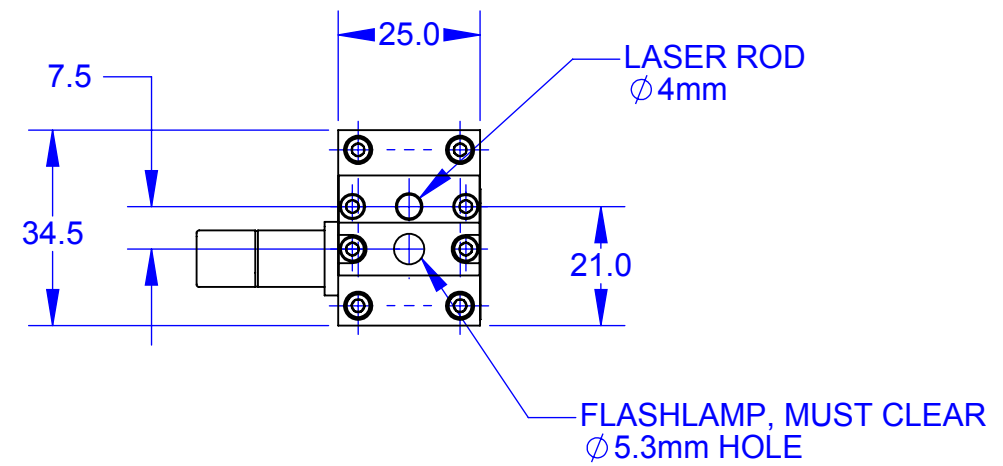
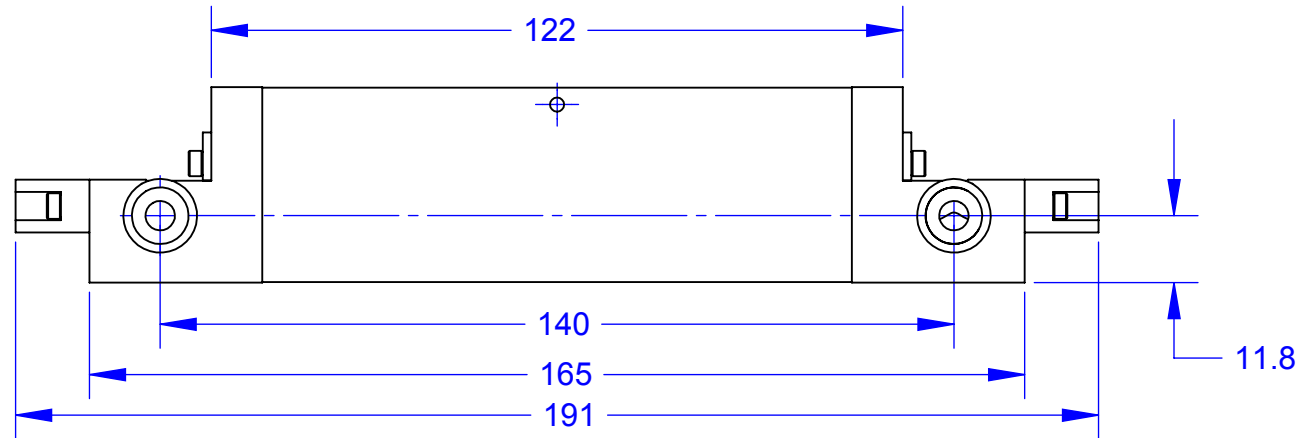
2

1

REV	DATE	DESCRIPTION
A	9/25/07	CORRECTED LASER ROD, FLASHLAMP CALLOUTS, ROTATED BODY
B	4/14/14	ADDED ENGRAVING SPEC, TEMP STRIP, AND NEW EC.



ISOMETRIC VIEW



NOTICE: This document contains proprietary and confidential information of MegaWatt Lasers. The contents shall not be disclosed, reproduced, duplicated, disseminated, or used for purposes other than authorized in writing by MegaWatt Lasers.

NOTES/SPECIFICATIONS:
 1. ALL DIMENSIONS IN mm.
 2. DO NOT SCALE THIS DRAWING.

		<i>MegaWatt Lasers</i>		
		P. O. Box 24190 Hilton Head Island, SC 29925		
4 X 125 PUMP CHAMBER INTERFACE DRAWING				
DRAWN BY DCA		SIZE B	CAGE CODE 1HVC0	DRAWING NO. 489
CHECKED MWA		TOLERANCES X. ±0.5 X.X ±0.1 X.XX ±0.05		REV B
APPROVED SJH		SCALE 3:4	DATE 25-SEPTEMBER-07	SHEET 1 OF 2

4

3

2

1

4

3

2

1

REV	DATE	DESCRIPTION



LASER ENGRAVED

NOTICE: This document contains proprietary and confidential information of MegaWatt Lasers. The contents shall not be disclosed, reproduced, duplicated, disseminated, or used for purposes other than authorized in writing by MegaWatt Lasers.

DRAWN BY DCA				MegaWatt Lasers P. O. Box 24190 Hilton Head Island, SC 29925		
				4 X 125 PUMP CHAMBER INTERFACE DRAWING		
CHECKED MWA	<u>TOLERANCES</u> X. ±0.5 X.X ±0.1 X.XX ±0.05	SIZE B	CAGE CODE 1HVC0	DRAWING NO. 489		REV B
APPROVED SJH		SCALE 3:2	DATE 25-SEPTEMBER-07		SHEET 2 OF 2	

4

3

2

1

A

A

B

B

C

C

D

D