

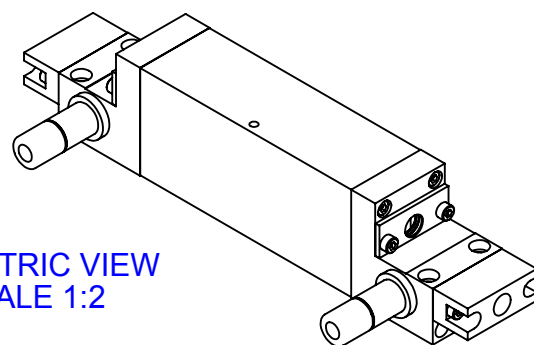
4

3

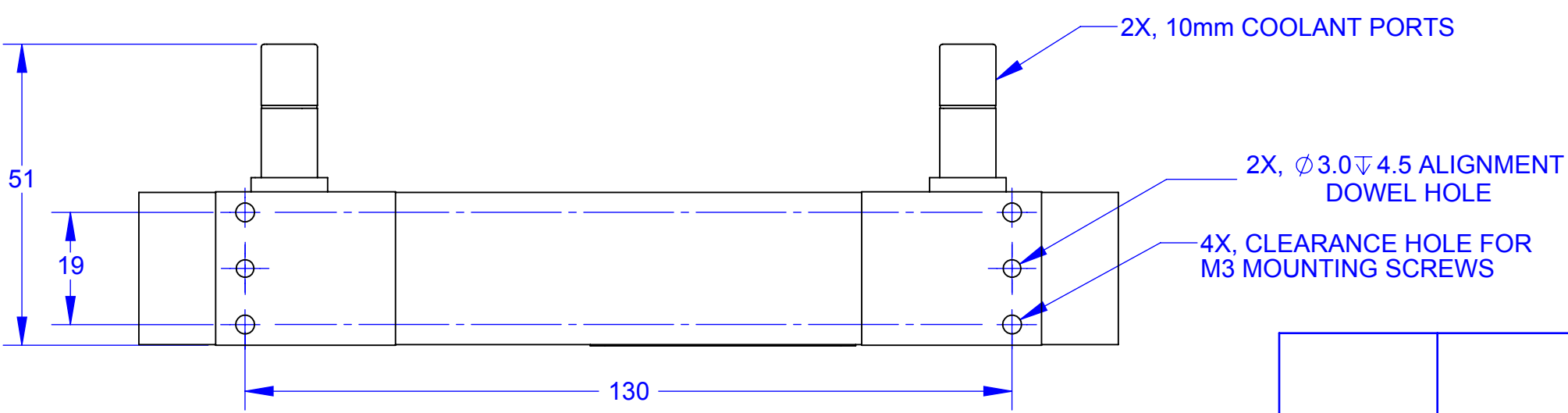
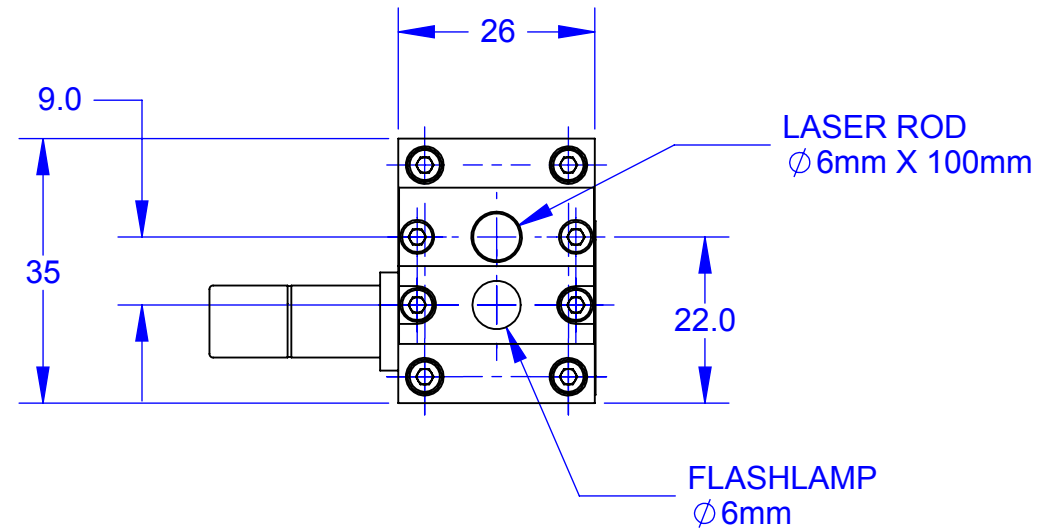
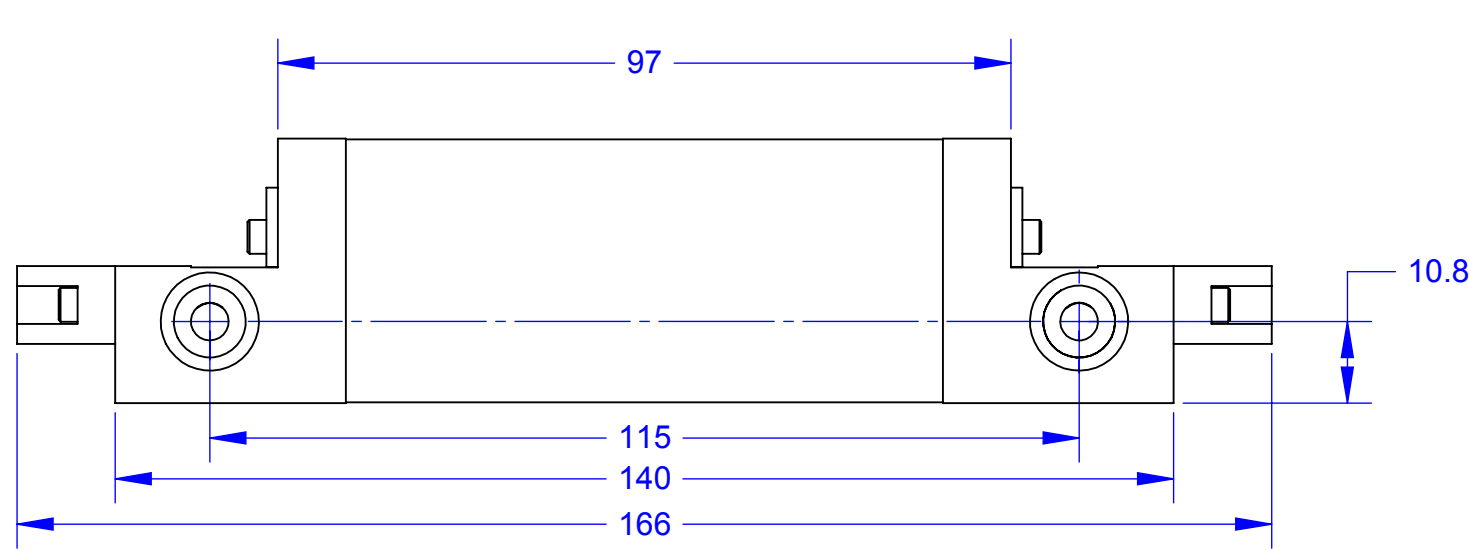
2

1

REV	DATE	DESCRIPTION
A	10-27-2014	UPDATED ENDCAPS AND ADDED ENGRAVING AND TEMP



ISOMETRIC VIEW
SCALE 1:2



NOTES/SPECIFICATIONS:
1. ALL DIMENSIONS IN mm.
2. DO NOT SCALE THIS DRAWING.

NOTICE: This document contains proprietary and confidential information of MegaWatt Lasers. The contents shall not be disclosed, reproduced, duplicated, disseminated, or used for purposes other than authorized in writing by MegaWatt Lasers.

DRAWN BY DCA		<i>MegaWatt Lasers</i>			
		P. O. Box 24190 Hilton Head Island, SC 29925			
CHECKED MWA		6 X 100 PUMP CHAMBER INTERFACE DRAWING			
		SIZE B	CAGE CODE 1HVC0	DRAWING NO. 715	REV A
APPROVED JDH		SCALE 1:1	DATE 23-JUNE-09		SHEET 1 OF 2

4

3

2

1

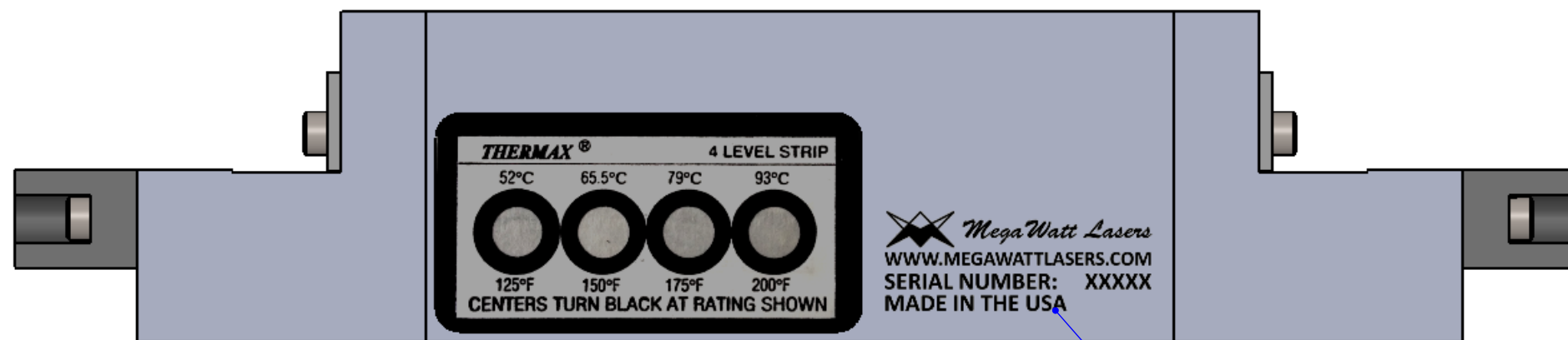
4

3

2

1

REV	DATE	DESCRIPTION



LASER ENGRAVED

NOTICE: This document contains proprietary and confidential information of MegaWatt Lasers. The contents shall not be disclosed, reproduced, duplicated, disseminated, or used for purposes other than authorized in writing by MegaWatt Lasers.

DRAWN BY DCA		<i>MegaWatt Lasers</i>			
		P. O. Box 24190 Hilton Head Island, SC 29925			
CHECKED MWA		6 X 100 PUMP CHAMBER INTERFACE DRAWING			
		SIZE B	CAGE CODE 1HVC0	DRAWING NO. 715	REV A
APPROVED JDH		TOLERANCES X. ±0.5 X.X ±0.1 X.XX ±0.05	SCALE 2:3	DATE 23-JUNE-09	SHEET 2 OF 2

4

3

2

1

A

A

B

B

C

C

D

D