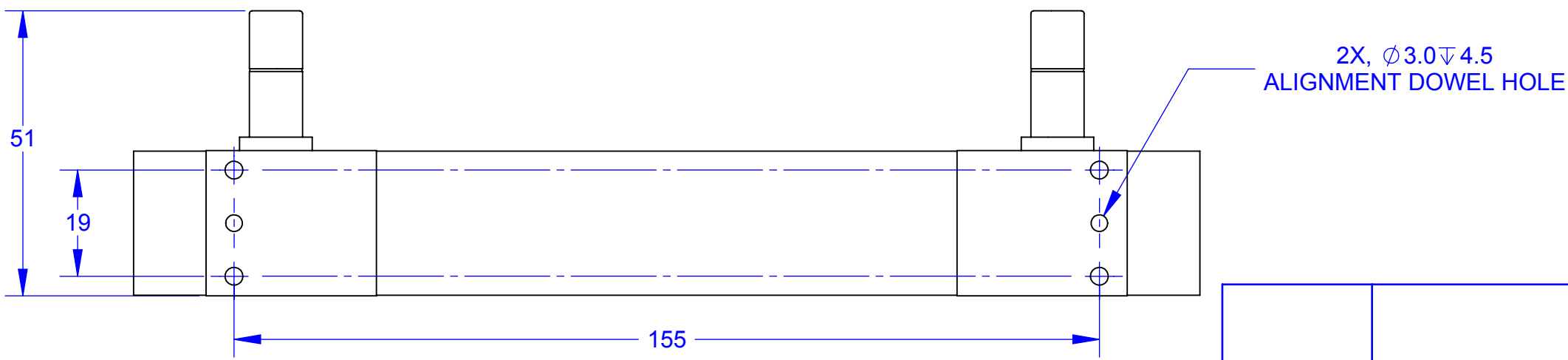
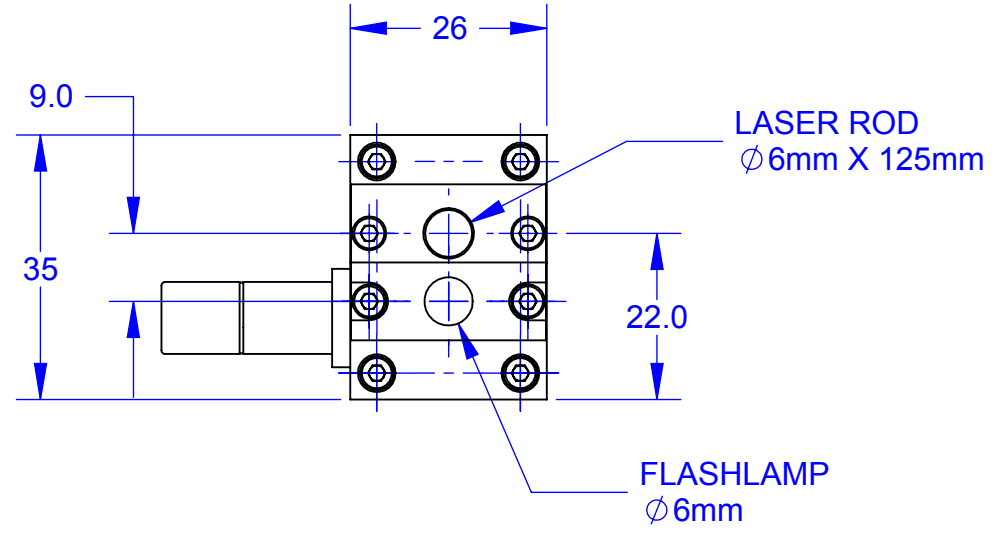
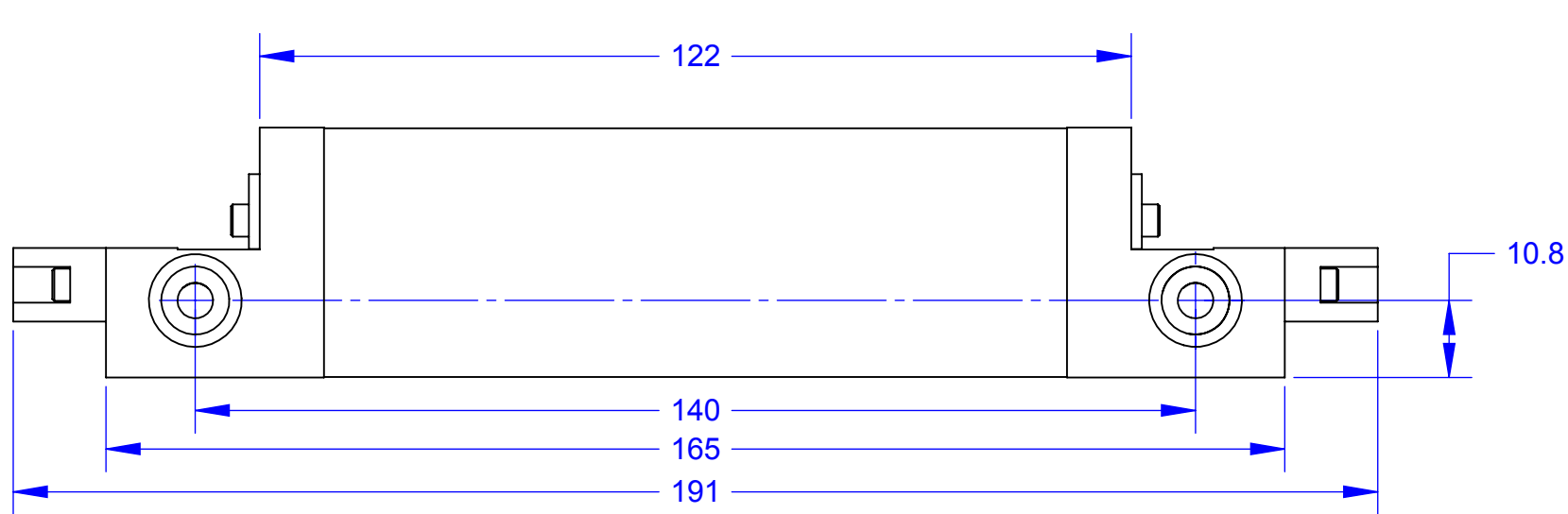
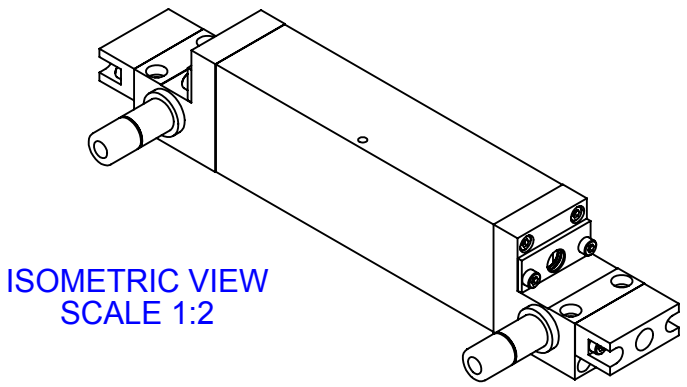


REV	DATE	DESCRIPTION
A	10/19/2015	UPDATED ENDCAPS.



NOTICE: This document contains proprietary and confidential information of MegaWatt Lasers. The contents shall not be disclosed, reproduced, duplicated, disseminated, or used for purposes other than authorized in writing by MegaWatt Lasers.

NOTES/SPECIFICATIONS:
 1. ALL DIMENSIONS IN mm.
 2. DO NOT SCALE THIS DRAWING.

DRAWN BY DCA		<i>MegaWatt Lasers</i>			
		P. O. Box 24190 Hilton Head Island, SC 29925			
CHECKED MWA		TOLERANCES X. ±0.5 X.X ±0.1 X.XX ±0.05		6 X 125 PUMP CHAMBER INTERFACE DRAWING	
				SIZE B	CAGE CODE 1HVC0
APPROVED JDH		SCALE 1:1	DATE 23-JUNE-09	SHEET 1 OF 1	